



Through connection block type BPP2-2S3/2 for rated 500V



Through connection block type BPP2-2S3/2 is a device designed for use in underground mining pits in non-explosive coal dust conditions and on the ground.

Through connection block type BPP2-2S3/2 is designed for connecting and distributing power in mine three-phase grid with isolated star point transformer (IT system) for rated grid voltage of 500V.

TECHNICAL DATA:

ingress protection	IP54
insulation rated voltage of main circuits	3 x 500V, 50 Hz
number of 500V outlets	2
rated current	315 A
rated current of the first outlet	315 A
rated current of the second outlet	125 A
dimensions	1300 x 550 x 350mm (H x W x D)
weight	70 kg

CONSTRUCTION

The through connection block is composed of a housing mounted on a frame construction, equipped with brackets. The frame construction allows the device to be hung on the pit wall.

MODE OF OPERATION

In 3x500V main circuit through connection block is equipped with a three-position switch Q. Every position of the switch can be locked by putting a lock on the switches drive lever.

In „off” position of switch „Q” is carried out control of the state of insulation of the outlet.

Block type BPP2-2S3 may be used in grids which require reserve supply.

SCHEMATIC DIAGRAM

Legend:

Zasilanie Podstawowe – **Main supply**

Zasilanie Rezerwowe – **Reserve supply**

Odpyw – **Outlet**

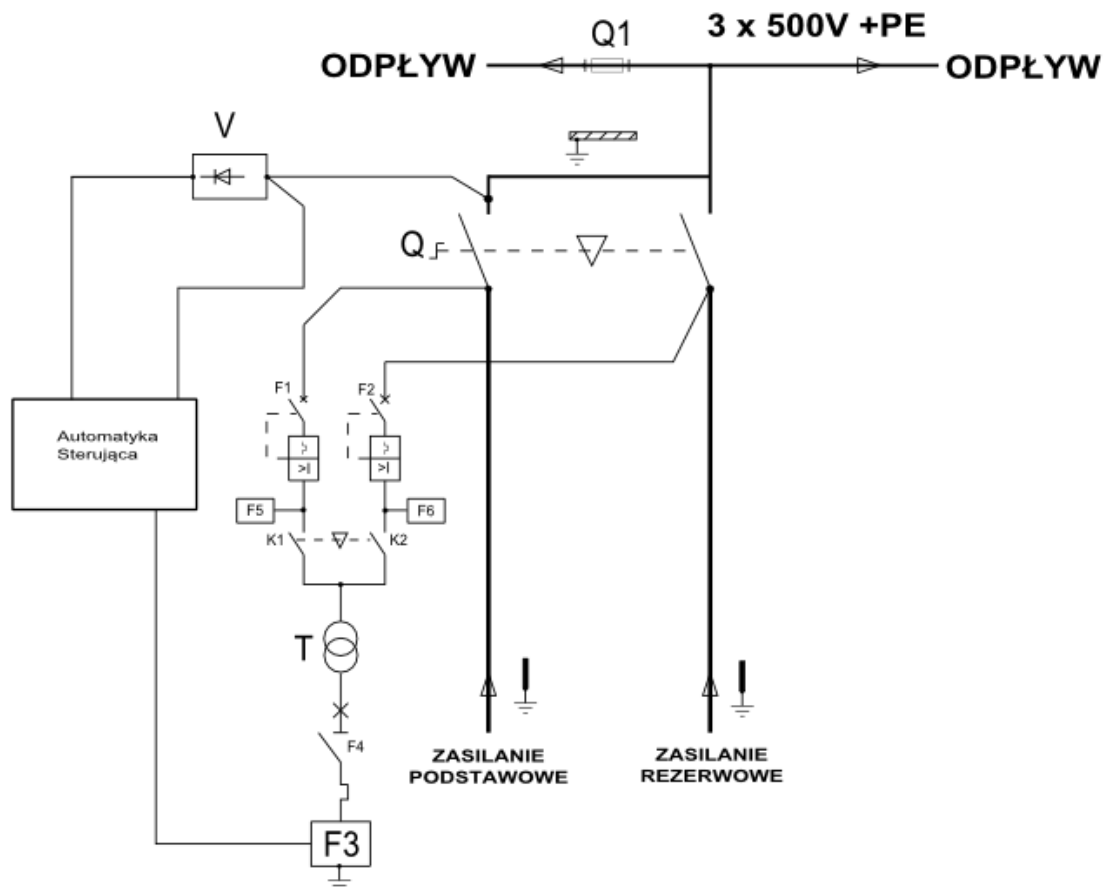
Q1 – **fuse**

Q – **switch disconnector**

T – **transformer**

F3 – **lowering insulation protection**

Automatyka sterująca – **control system**



Orders should be submitted in writing or by fax to the address:

 **Instal-Service PL**

Spółka z ograniczoną odpowiedzialnością
Spółka komandytowa

58-506 Jelenia Góra, ul. Wrocławska 15a
tel. (+48 075) 64-57-950
fax. (+48 075) 64-57-951
e-mail: instal@instal-service.pl